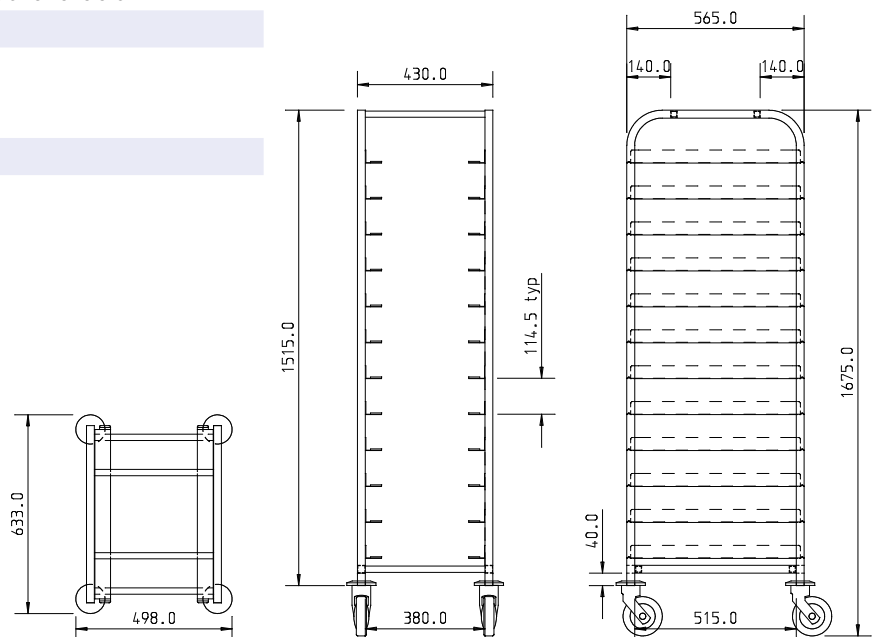


'PREMIER' Tray Clearing Trolley Single Column

FINISH	<ul style="list-style-type: none"> Stainless steel grade 304 throughout One piece formed sides and centre frames - 25x25mm tubular section Stainless steel formed tray slides
MODEL CODE	10 Tier = PCT-1X10 12 Tier = PCT-1X12 15 Tier = PCT-1X15 (If side panels reqd suffix with "P" i.e PCT-1X10-P)
DIMENSIONS	498x633x1675mm high (Please note 15 tier have extended height of 1850mm)
LOADING	10 kg per level
TRAYSIDE PITCH	10 tier = 140mm 12 tier = 115mm 15 tier = 115mm
TRAY SIZE	460x360 / 480x370 / 530x325 / 350x270 / Fast food and gastro 1/1
FEATURES	<ul style="list-style-type: none"> Universal trayslide design Trayslide design allows 'easy feed' into trolley with stops for safe transportation One piece formed side and centre frames 125mm castors, non-marking (2x braked) - bumpers fitted as standard
OPTIONS	<ul style="list-style-type: none"> Foodsafe enclosure panels fitted to sides only or sides and rear Coloured and stainless steel panels available Flat packed option available Total enclosure available with hinged lockable doors 'Wide entry' models available Room service model available
NET WEIGHT	24kgs
USAGE	<ul style="list-style-type: none"> Canteen / Dining Coffee Shops School Meals
LOAD PROFILE	375mm



shows unit with optional stainless steel side panels



* shows typical 12 tier unit